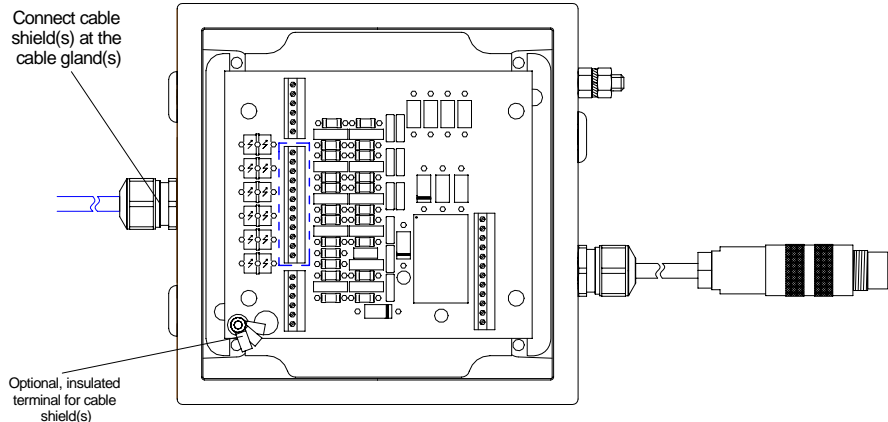
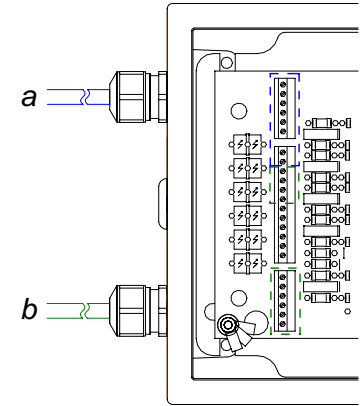


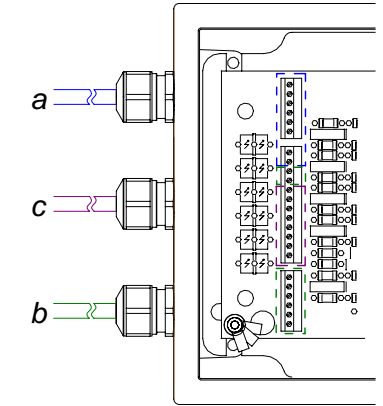
1x Triaxial Sensor



1x Uniaxial & 1x Biaxial Sensor



3x Uniaxial Sensor



J_UNPROT2

X-	1	S_TEST	
X-	2	GND	
X-	3	V_MAIN (12V)	
X-	4	GND	
X-	5	S_MODE	
X-	6	AGND	

J_UNPROT2

S_TESTa	1	S_TEST	blue
GNDa	2	GND	red
POWERa	3	V_MAIN (12V)	black
GNDa	4	GND	purple
S_MODEa	5	S_MODE	grey/pink
AGNDa	6	AGND	blue/red

J_UNPROT2

S_TESTa	1	S_TEST	blue
GNDa	2	GND	red
POWERa	3	V_MAIN (12V)	black
GNDa	4	GND	purple
S_MODEa	5	S_MODE	grey/pink
AGNDa	6	AGND	blue/red

J_UNPROT1

X+	1	Channel 1 +	white
X-	2	Channel 1 -	brown
Y+	3	Channel 2 +	green
Y-	4	Channel 2 -	yellow
Z+	5	Channel 3 +	grey
Z-	6	Channel 3 -	pink
S_TEST	7	S_TEST	blue
GND	8	GND	red
POWER	9	V_MAIN (12V)	black
GND	10	GND	purple
S_MODE	11	S_MODE	grey/pink
AGND	12	AGND	blue/red

J_UNPROT1

Xa+	1	Channel 1 +	white
Xa-	2	Channel 1 -	brown
Xb+	3	Channel 2 +	white
Xb-	4	Channel 2 -	brown
Yb+	5	Channel 3 +	green
Yb-	6	Channel 3 -	yellow
X-	7	S_TEST	
X-	8	GND	
X-	9	V_MAIN (12V)	
X-	10	GND	
X-	11	S_MODE	
X-	12	AGND	

J_UNPROT1

Xa+	1	Channel 1 +	white
Xa-	2	Channel 1 -	brown
Xb+	3	Channel 2 +	white
Xb-	4	Channel 2 -	brown
Xc+	5	Channel 3 +	white
Xc-	6	Channel 3 -	brown
S_TESTc	7	S_TEST	blue
GNDc	8	GND	red
POWERc	9	V_MAIN (12V)	black
GNDc	10	GND	purple
S_MODEc	11	S_MODE	grey/pink
AGNDc	12	AGND	blue/red

J_UNPROT3

X-	1	S_TEST	
X-	2	GND	
X-	3	V_MAIN (12V)	
X-	4	GND	
X-	5	S_MODE	
X-	6	AGND	

J_UNPROT3

S_TESTb	1	S_TEST	blue
GNDb	2	GND	red
POWERb	3	V_MAIN (12V)	black
GNDb	4	GND	purple
S_MODEb	5	S_MODE	grey/pink
AGNDb	6	AGND	blue/red

J_UNPROT3

S_TESTb	1	S_TEST	blue
GNDb	2	GND	red
POWERb	3	V_MAIN (12V)	black
GNDb	4	GND	purple
S_MODEb	5	S_MODE	grey/pink
AGNDb	6	AGND	blue/red